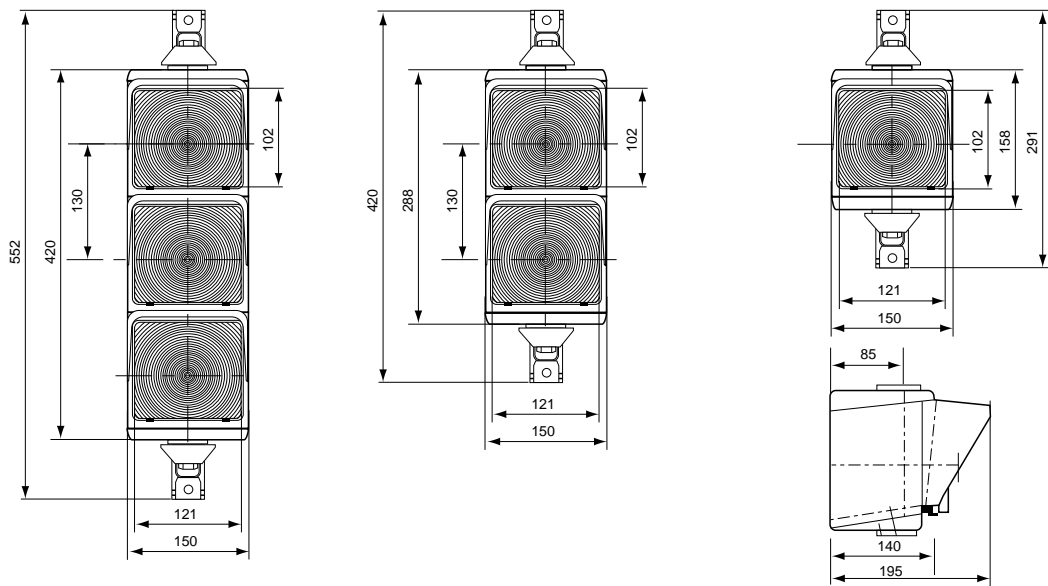
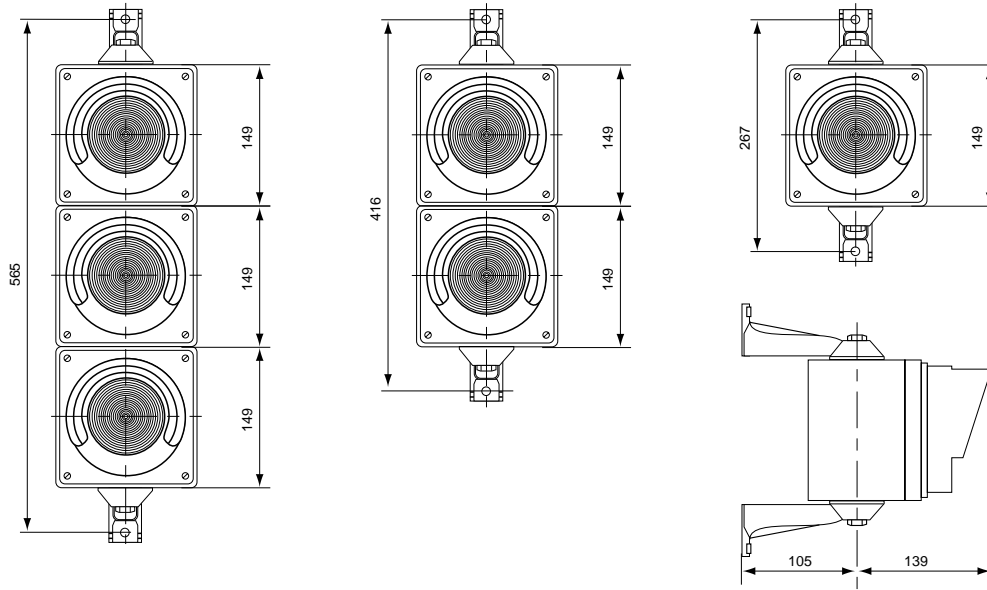


# PH100 Series



## TECHNICAL DATA

PH100 R IP54 rating PH100 Z IP44 rating

Temperature range of operation is -70 to +135 degrees C.

The heads have been tested and comply with:  
BS2011, Part 2, Test Eb (bump) and Test Fc (vibration).

Maximum Wattage: 40w

Weights (to nearest 0.5 Kg):

- 1 Aspect = 1 Kg
- 2 Aspect = 2.5 Kg
- 3 Aspect = 3.5 Kg

# SAFELITE

Safe Lite (UK) Ltd.  
Equipment Works  
Alma Street  
Birmingham  
B19 2RS

Tel: 0121 359 4034

Fax: 0121 333 3167

International Dial Code for UK  
+44 121 359 4034



© Safe Lite (UK) Ltd. Reserve the right to alter specifications without the prior notification. It is a policy of Safe Lite (UK) Ltd. to seek Registered Design and/or Patent protection for its new products.