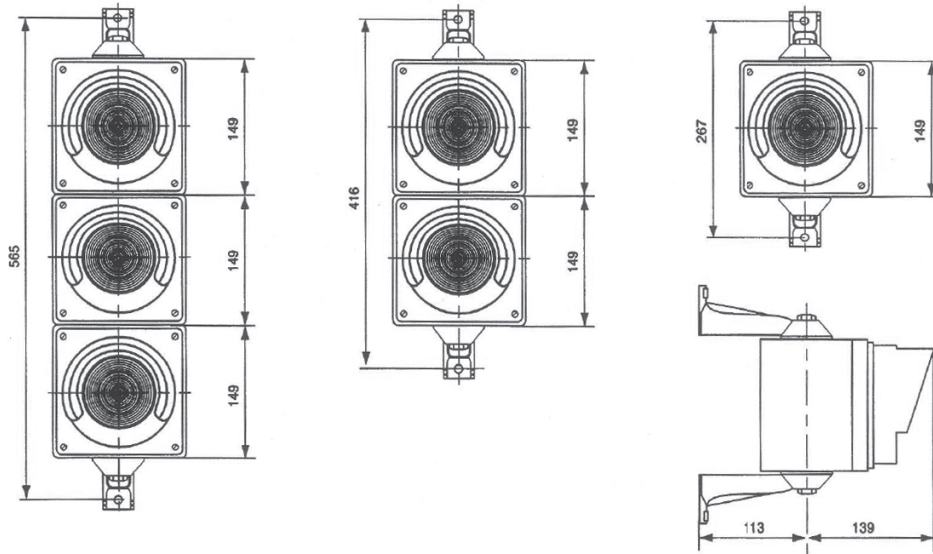
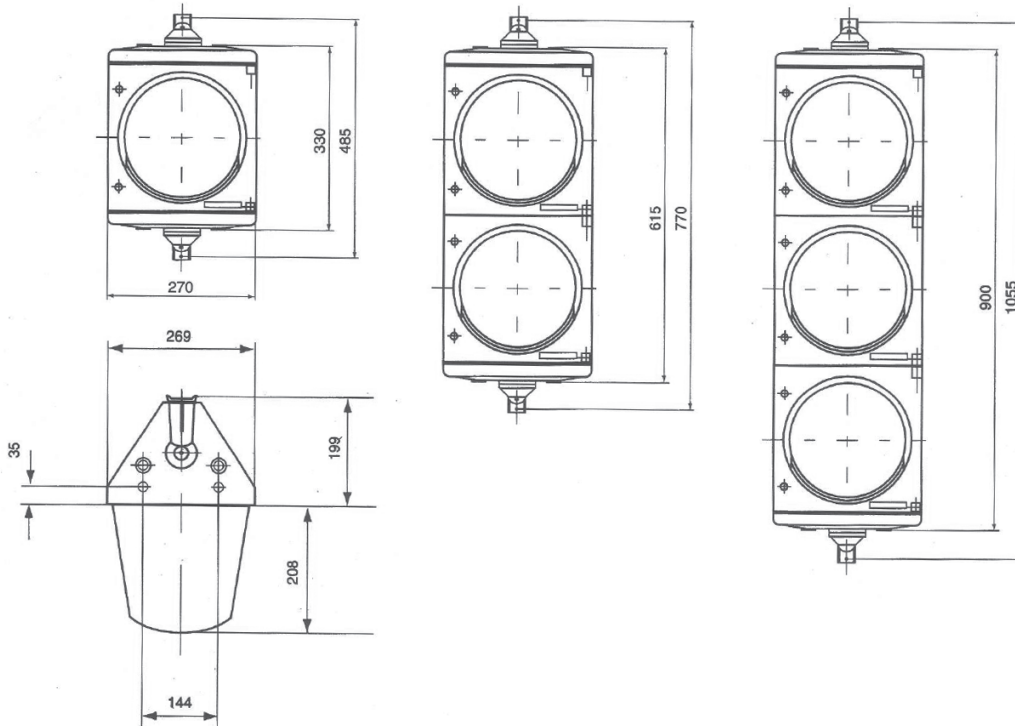


# PH100 SERIES



# ROUND SIGNAL PH210



ALL DIMENSIONS IN MM

Safe Lite (UK) Ltd. Units 7, 9 & 11 Phoenix Business Park, Avenue Road, Aston, Birmingham B7 4NU  
 Tel: +44(0)121 359 4034 Fax: +44(0)121 333 3167 email: enquiries@safelite.uk.com

[www.safelite.uk.com](http://www.safelite.uk.com)



© Safe Lite (UK) Ltd. reserves the right to change or alter product specifications without prior notice. It is a policy of Safe Lite (UK) Ltd. to seek Registered Design and/or Patent Protection for its products. Where required equipment is fully Type Approved to relevant Department of Transport specifications.

